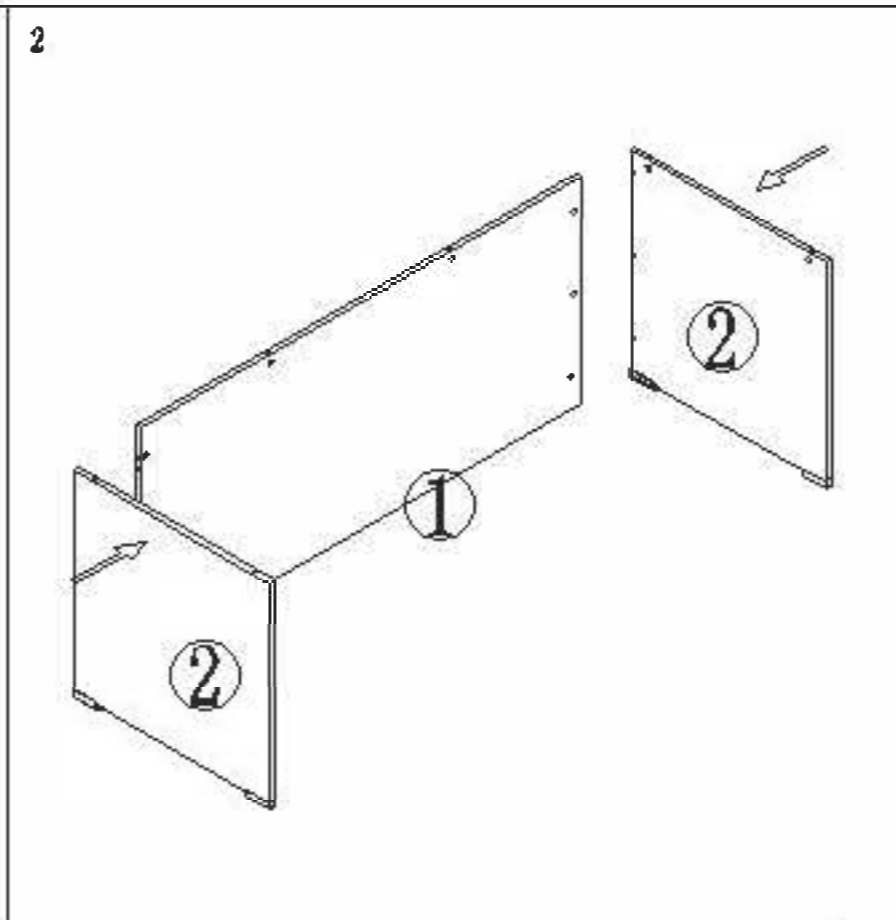
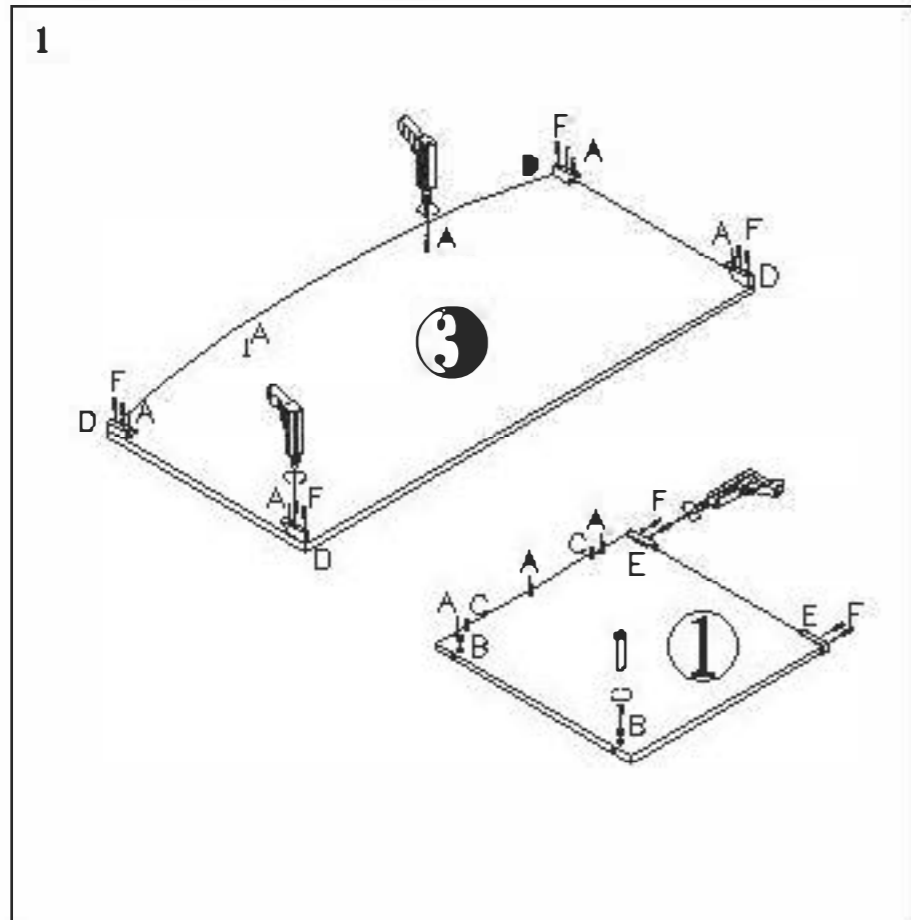







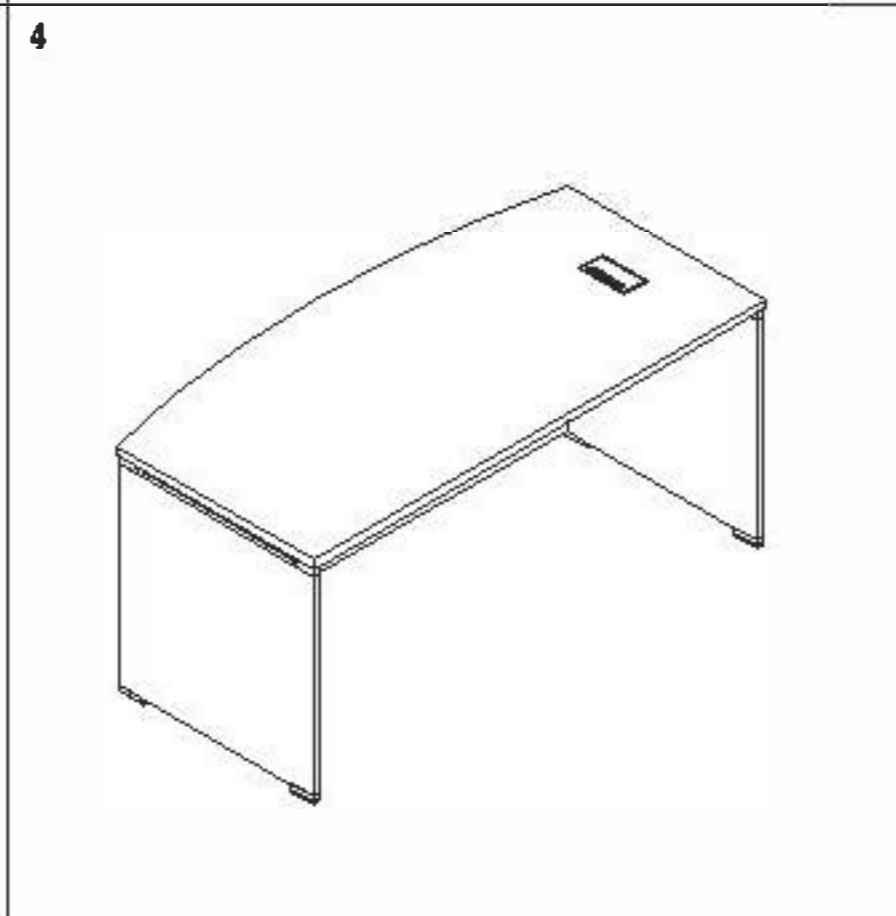
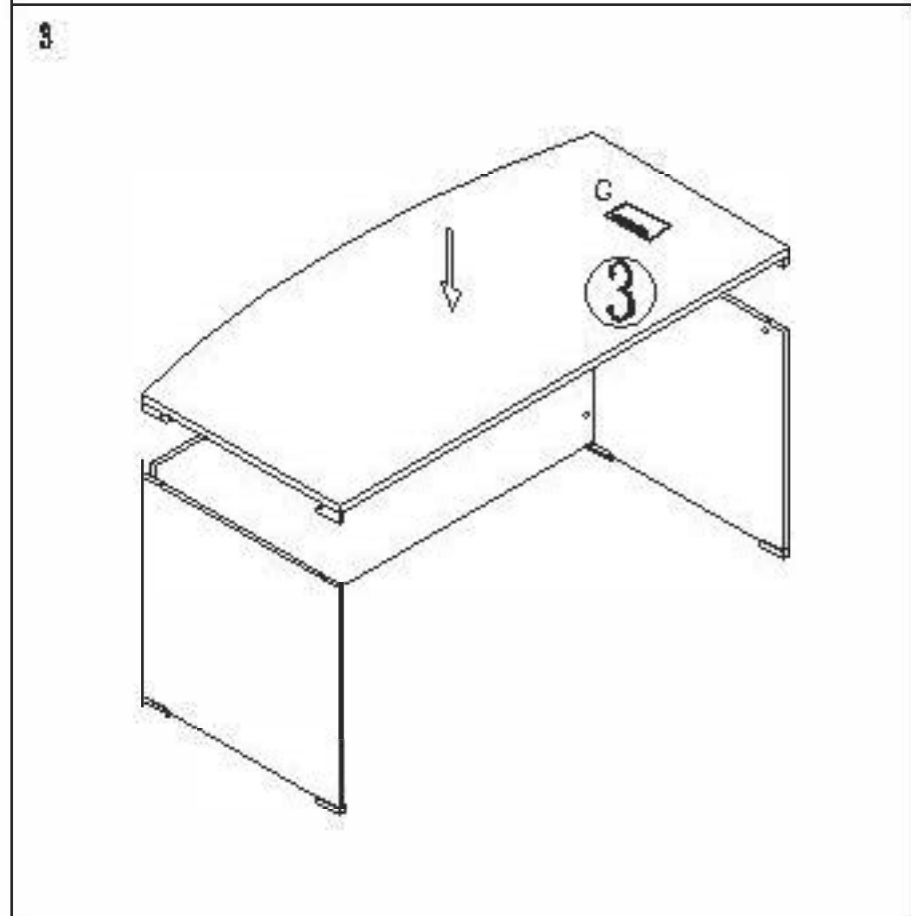


# Assembly diagram



<b>A</b>	M6*25mm		12
<b>B</b>	∅ 15*12mm		12
<b>C</b>	∅ 8x30mm		4
<b>D</b>			4
<b>E</b>			4
<b>F</b>	M3. 5X20mm		16
<b>G</b>	160X80mm		1



1	1358x700x18	1
2	694x682x18	2
3	1400x800x25	1