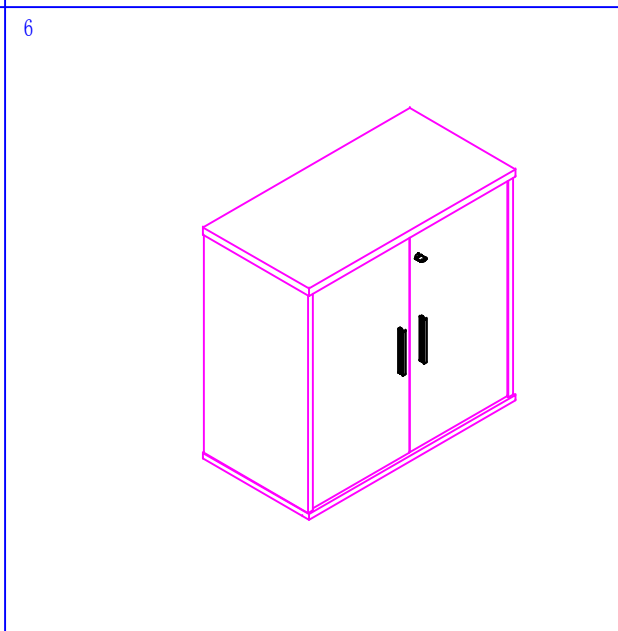
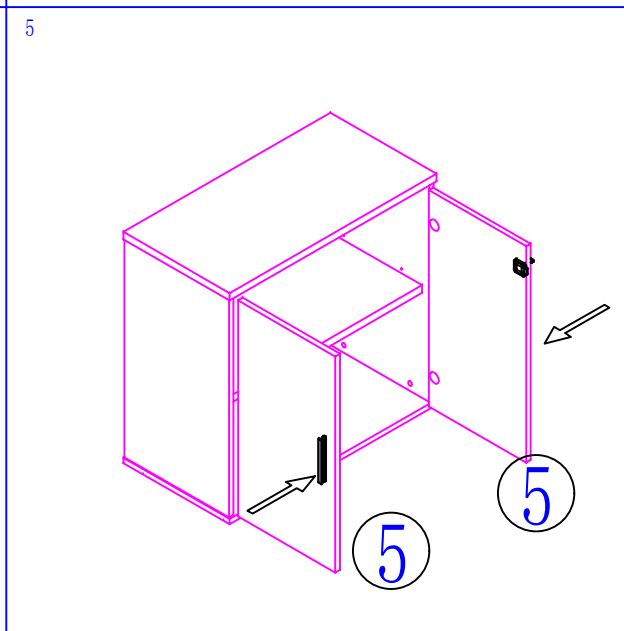
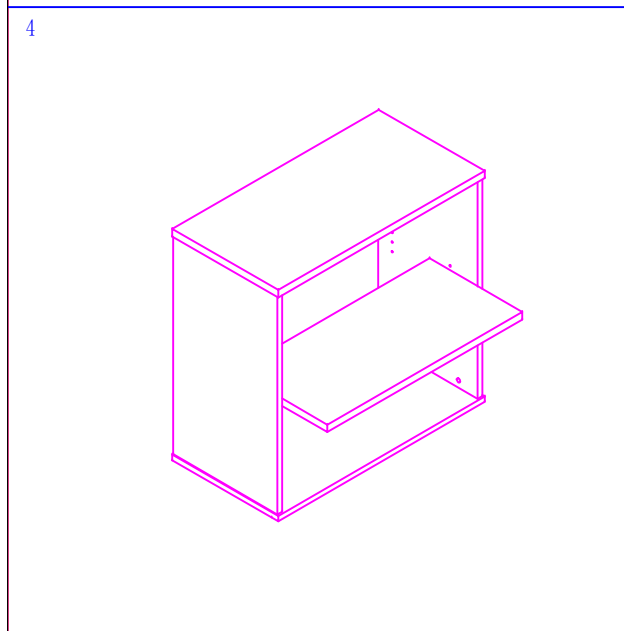
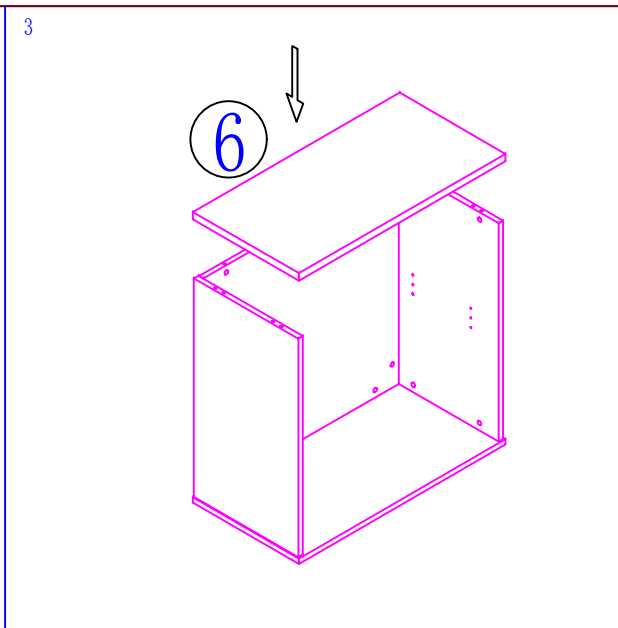
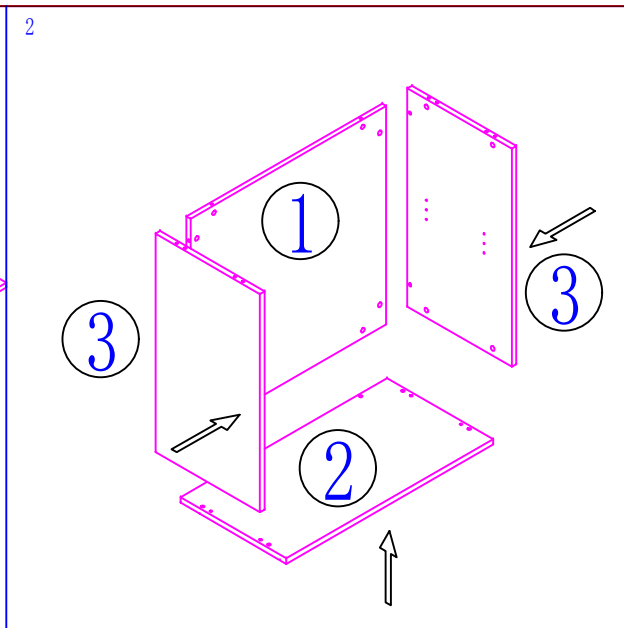
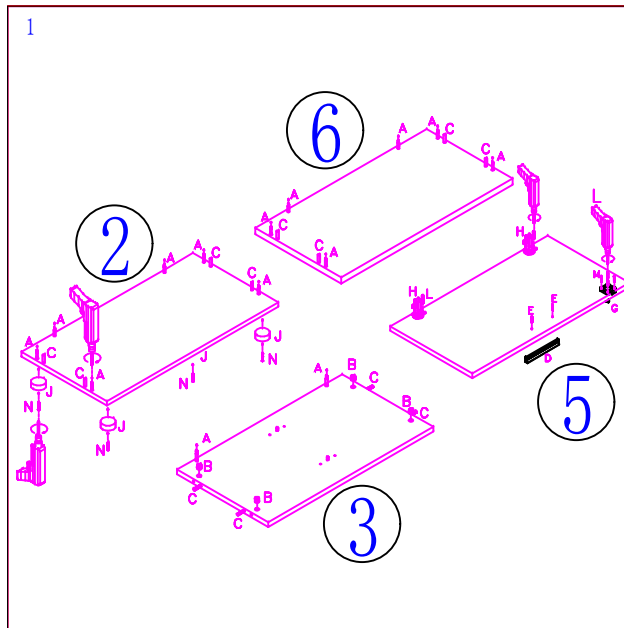


# Assembly diagram

Item NO: E0916



A	M6*25mm		16
B	∅ 15*12mm		16
C	∅8x30mm		8
D	96mm		2
E	M4X22mm		4
G	∅20mm		1
H	∅35mm		4
J	∅50x20mm		4
K	∅5x12mm		4
L	M3. 5X14mm		30
M	M3. 5X20mm		4
N	M4X30mm		4

1	760x684x18	1
2	800x400x18	1
3	684x398x18	2
4	758x358x18	1
5	680x377x18	2
6	800x400x25	1