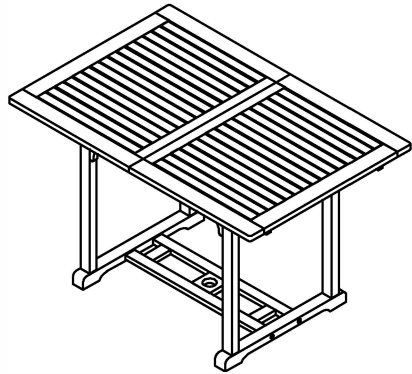
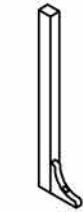


ASSEMBLY INSTRUCTION



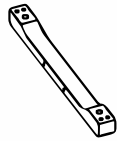
Caution : You must read this before you proceed
Unpack and place all parts on a clean,
non-marring surface.



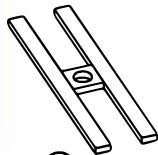
A 4 Pcs



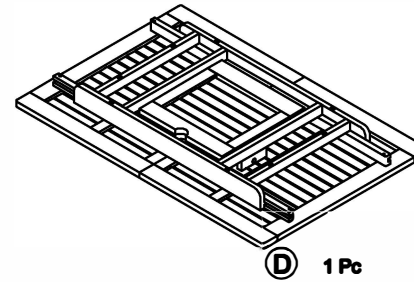
B 2 Pcs



C 2 Pcs



D 1 Pc



D 1 Pc

①



SCREW (M7 x 90)

4 Pcs

②



SCREW (M7 x 90)

4 Pcs

③



SCREW (M7 x 70)

8 Pcs

④



SCREW (M7 x 90)

4 Pcs

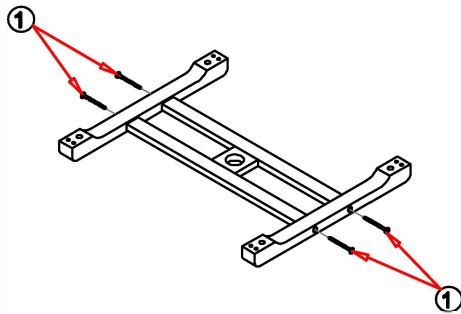
⑤



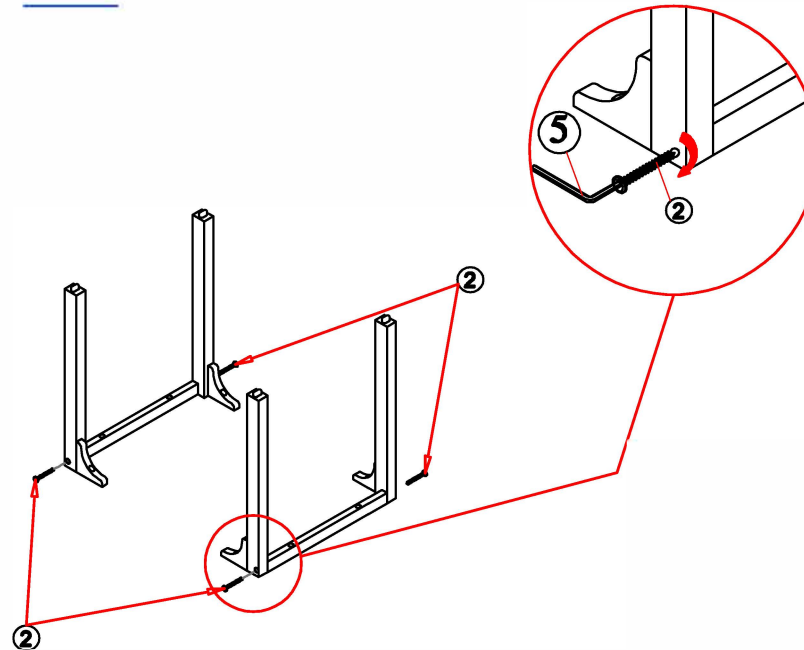
ALLEN KEY (5mm)

2 Pcs

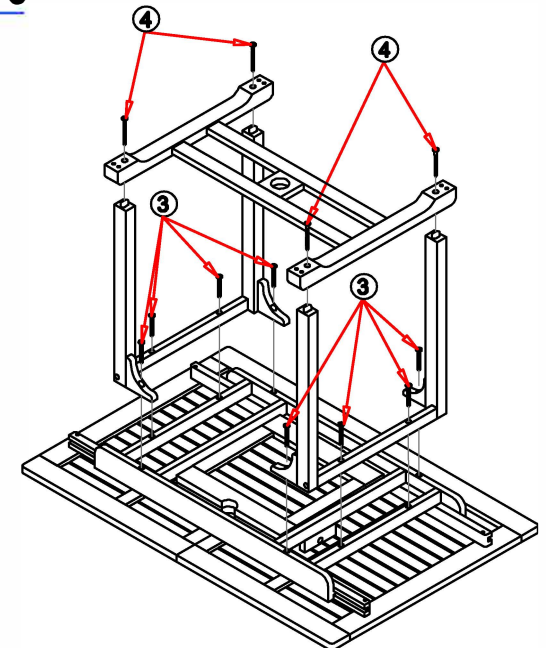
STEP 1



STEP 2



STEP 3



Finish