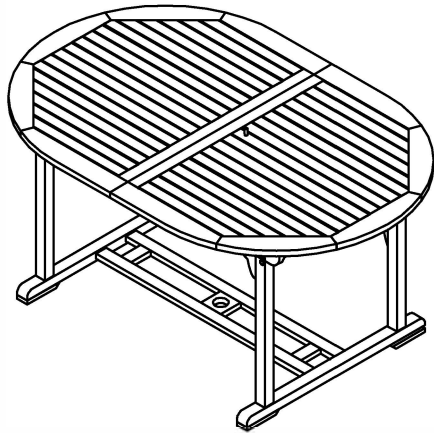
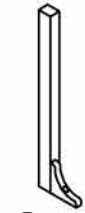


ASSEMBLY INSTRUCTION



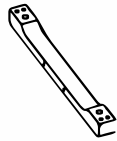
Caution : You must read this before you proceed
Unpack and place all parts on a clean,
non-marring surface.



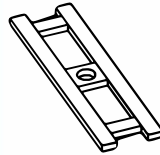
A 4 Pcs



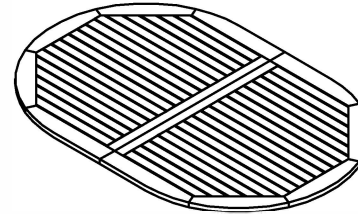
B 2 Pcs



C 2 Pcs



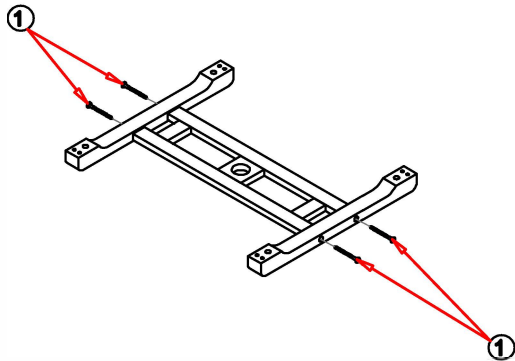
D 1 Pc



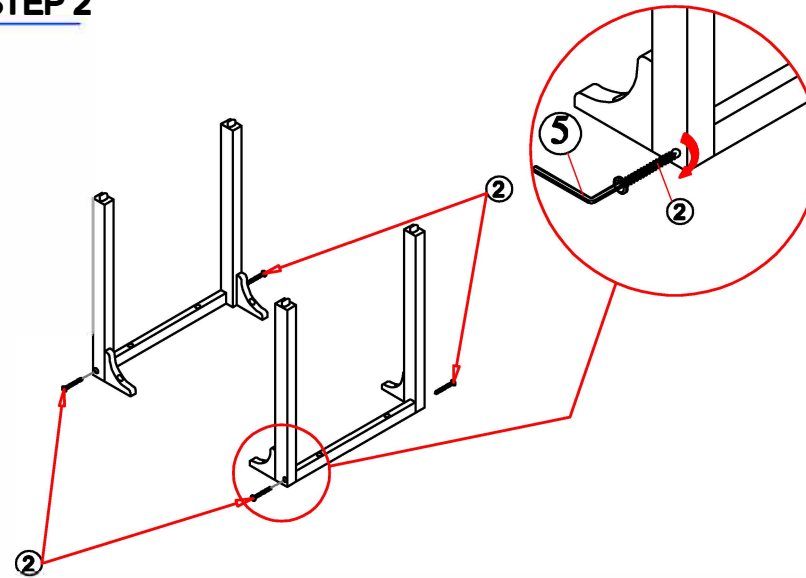
E 1 Pc

①	SCREW (M7 x 90)	4 Pcs
②	SCREW (M7 x 90)	4 Pcs
③	SCREW (M7 x 70)	8 Pcs
④	SCREW (M7 x 90)	4 Pcs
⑤	ALLEN KEY (5mm)	2 Pcs

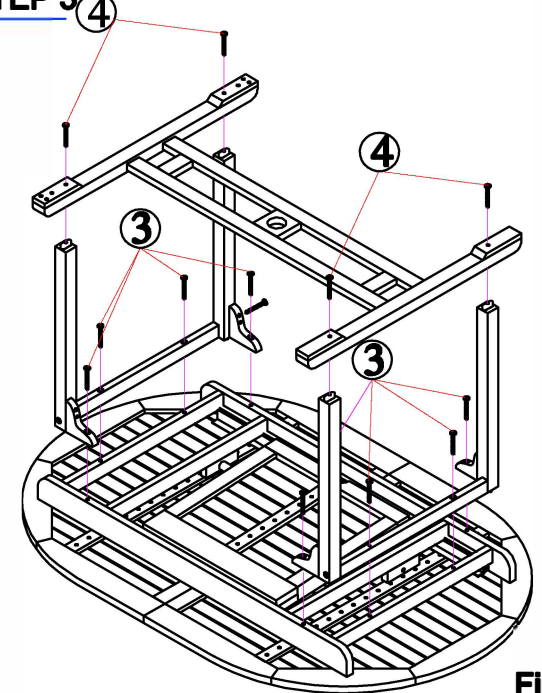
STEP 1



STEP 2



STEP 3



Finish