

MODEL : E 8440

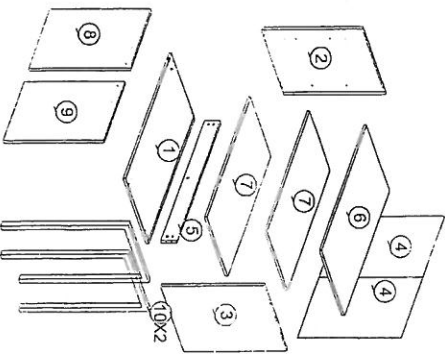
DESCRIPTION : 2 DOOR SHOE CABINET

ASSEMBLY INSTRUCTION

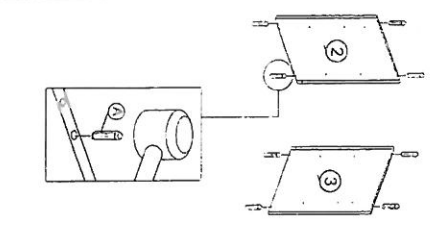
HARDWARE

A	WOOD DOOR 8 X 25	8
B1	MINIFIX 5654-9546	9 SETS
B2	MINIFIX CAP	9 SETS
B3	MINIFIX	9 SETS
C	L KEY	1
D	1.8MM CB SCREW MAX 3X10MM	24
E	3.0MM CSF CAP W/3050MM	4
F	HANDLE 7050 -58MM	2
G	1.9MM HANDLE SCREW MAX19MM	4
H	1.3MM HANDLE SCREW MAX13MM	12
I	PVC CORNER L BRACKET	4
J	HINGES 7/8	4 SETS
K	METAL SHELF SUPPORT	8
L	3MM PUH 581MM	1

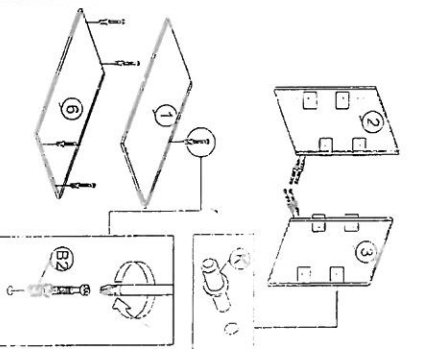
PART LIST



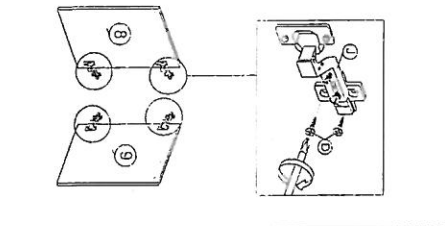
STEP 1



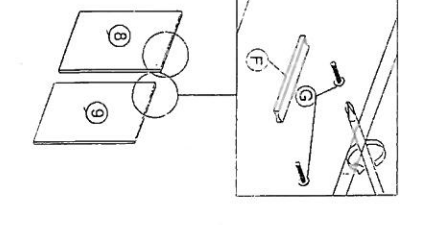
STEP 2



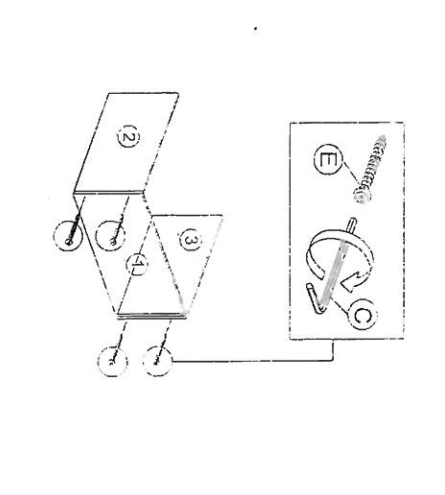
STEP 3



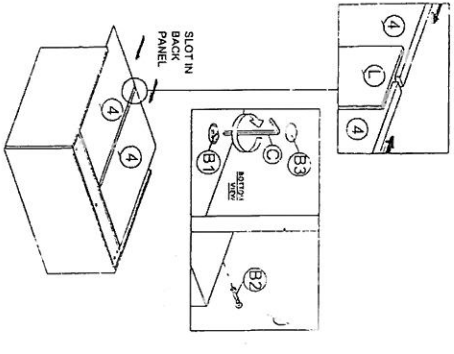
STEP 4



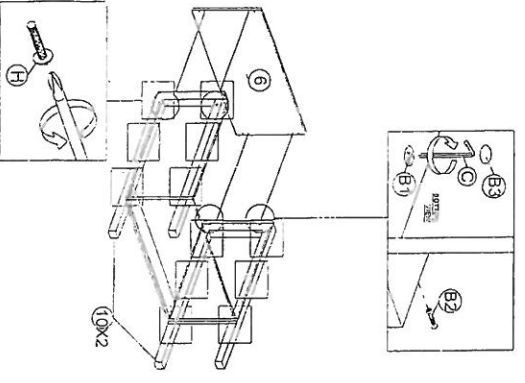
STEP 5



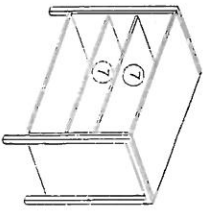
STEP 6



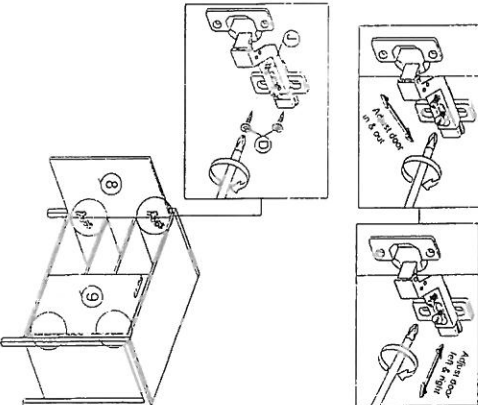
STEP 7



STEP 8



STEP 9



COMPLETED

