

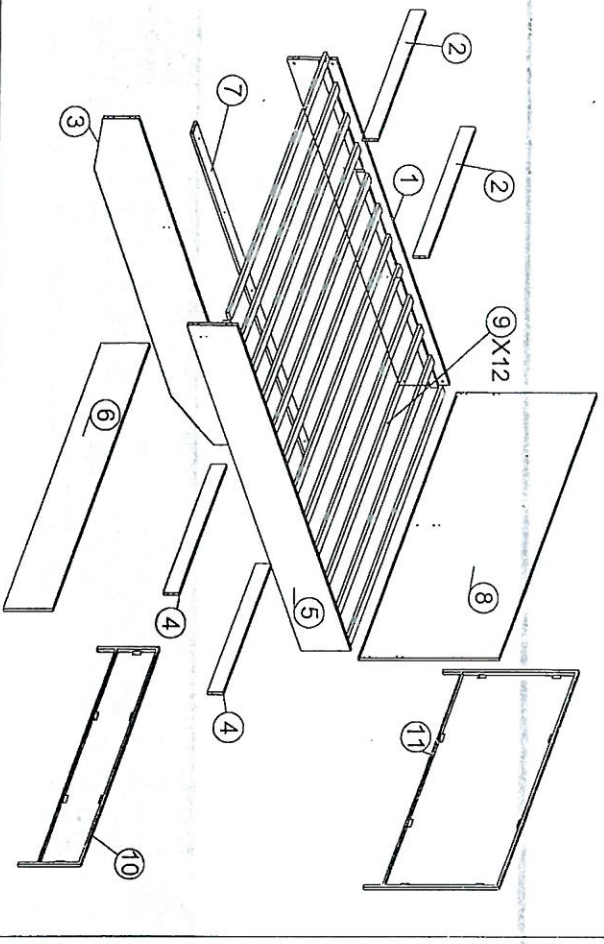
# ASSEMBLY INSTRUCTION

MODEL : E 8431

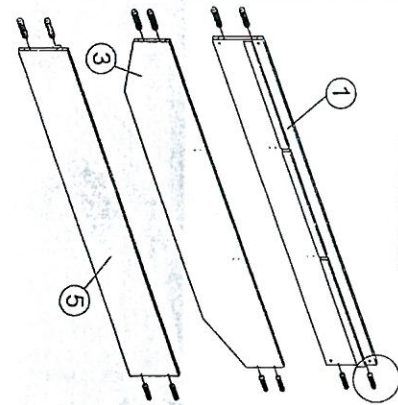
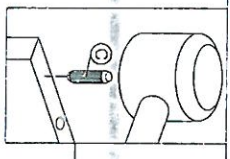
DESCRIPTION : BEDROOM

| HARDWARE |  |
|----------|--|
| A        | A1 A2<br>MINIFIX 5654+5546<br>28 SETS  |
| B        | MINIFIX CAP<br>28                      |
| C        | WOOD DOWEL<br>8 X 25<br>12             |
| D        | 50MM<br>CSK CAP WOOD<br>M6X55MM<br>5   |
| E        | L KEY IM<br>1                          |
| F        | 1.6MM<br>CB SCREW<br>M3.5X16MM<br>28   |
| G        | 1.32MM<br>CB SCREW<br>M3.5X 32MM<br>12 |

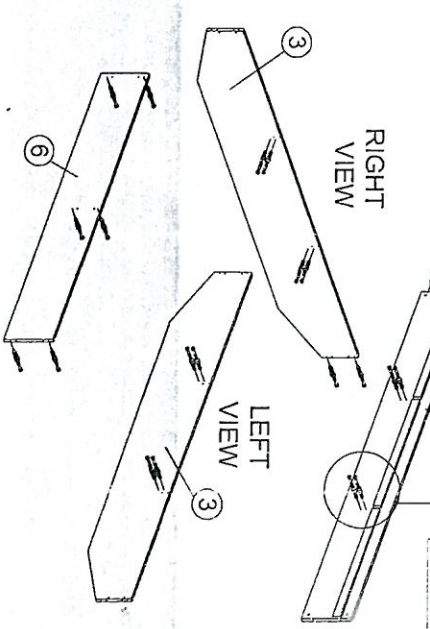
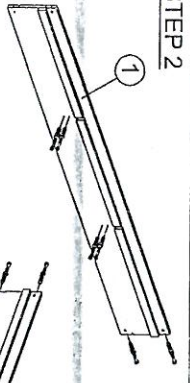
### PART LIST



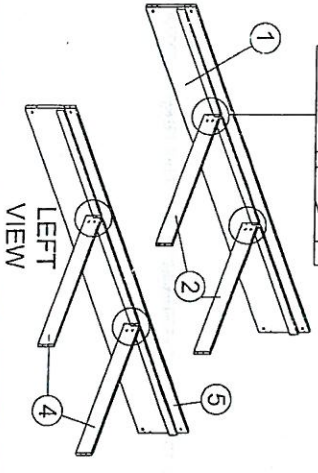
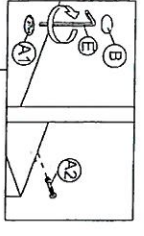
### STEP 1



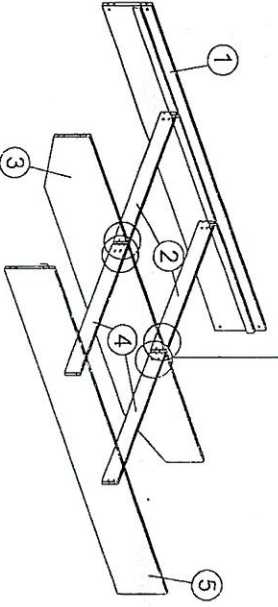
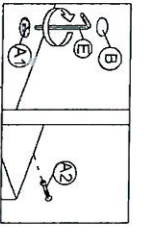
### STEP 2



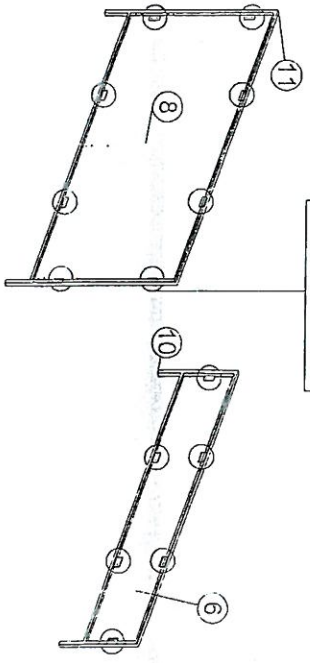
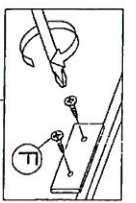
### STEP 3



### STEP 4



### STEP 5



# ASSEMBLY INSTRUCTION

MODEL : E 8431

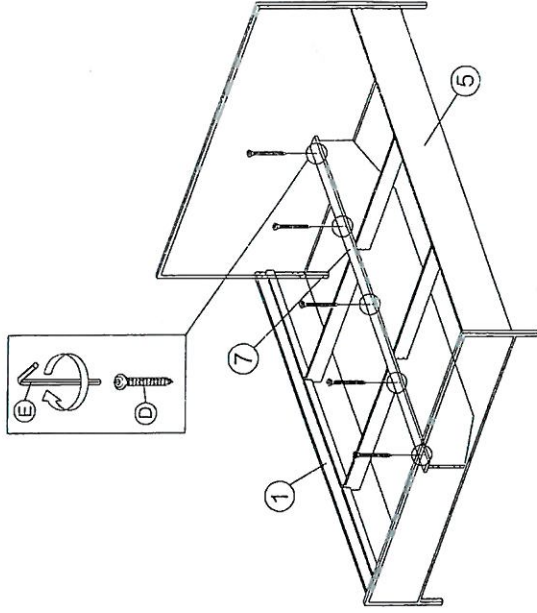
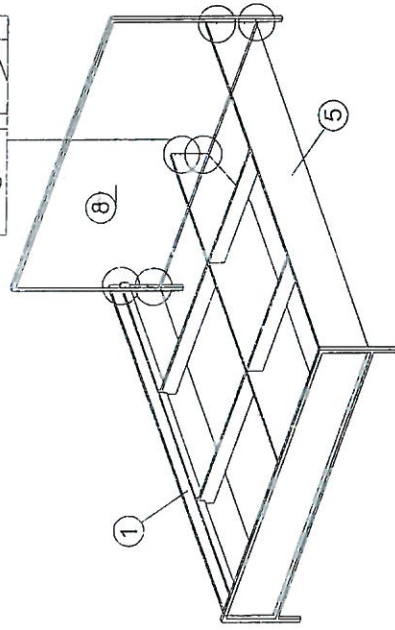
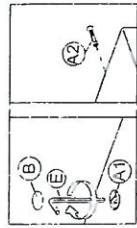
DESCRIPTION : BEDROOM

|                 |          |      |          |                  |                  |   |
|-----------------|----------|------|----------|------------------|------------------|---|
|                 |          |      |          |                  |                  |   |
| SOFT, DRY CLOTH | CHEMICAL | HEAT | KEEP DRY | HANDLE WITH CARE | DO NOT USE KNIFE | X |

STEP 6

STEP 7

STEP 8



STEP 9

COMPLETED

