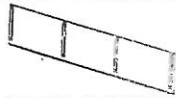

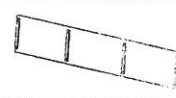



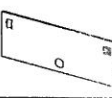


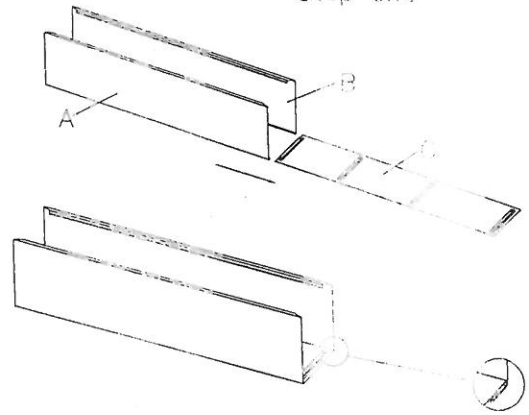


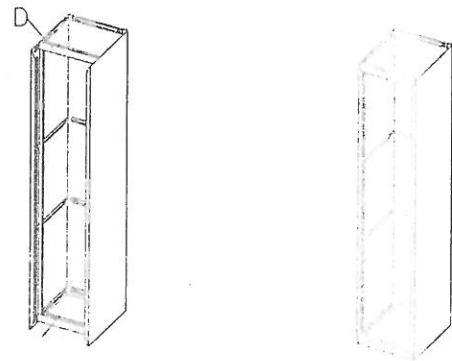
| Part ID | Description | Illustration | Qty |
|---------|------------------|--|-----|
| A | Left Side Panel |  | 1 |
| B | Right Side Panel |  | 1 |
| C | Rear Wall |  | 1 |
| D | Front Frame |  | 1 |
| E | Shelf |  | 2 |
| F | Middle Shelf |  | 2 |
| G | Door |  | 3 |
| H | Lock |  | 3 |
| I | Revolving Pole |  | 3 |

ASSEMBLING INSTRUCTIONS

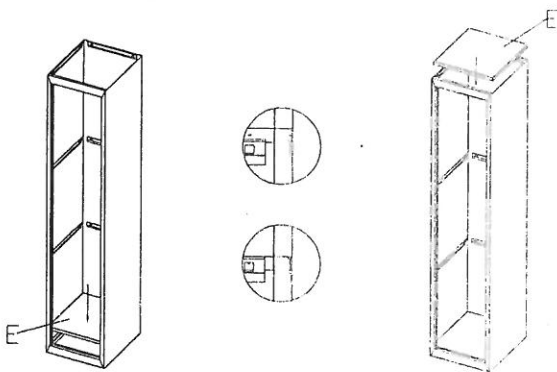
Step one



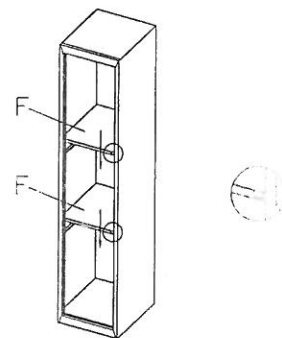
Step Two



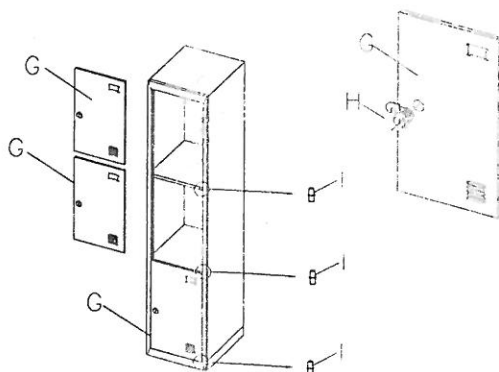
Step Three



Step Four



Step Five



STEP SIX

