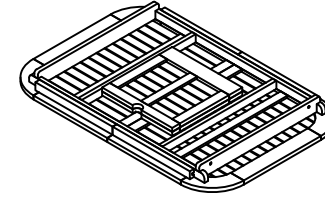
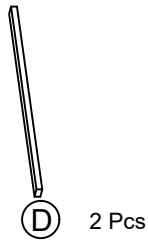
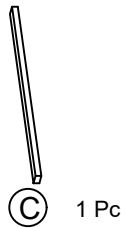
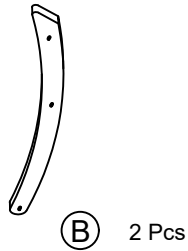
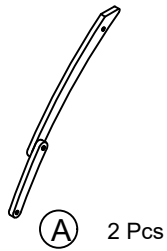
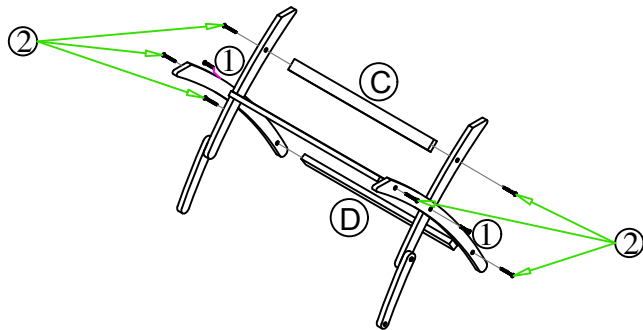


ASSEMBLY INSTRUCTION

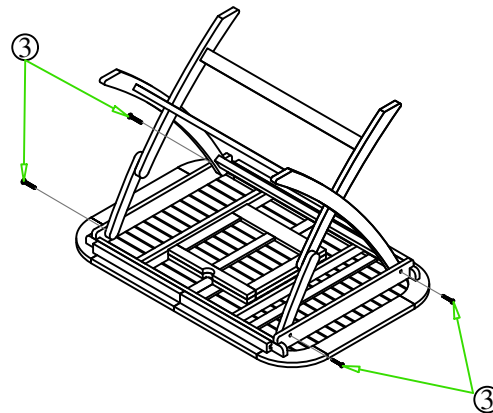


- ① BOLT (M8 x40)+CapNut - 2 Set
- Plastic washer - 2 pcs
- ② SCREW (M7 x 70) - 6 pcs
- ③ BOLT (M8 x35)+CapNut - 4 Set
- Plastic washer - 4 pcs
- ④ ALLEN KEY 4mm (2 pcs)
- ⑤ ALLEN KEY 5mm (1pc)

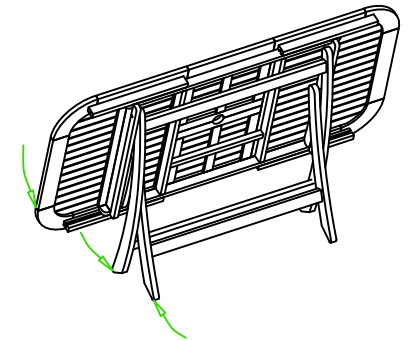
STEP 1



STEP 2



STEP 3



Finish