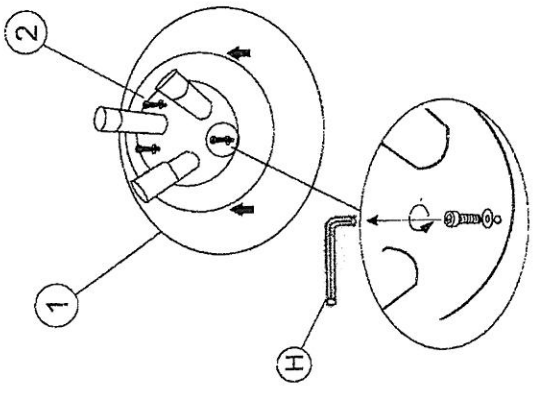


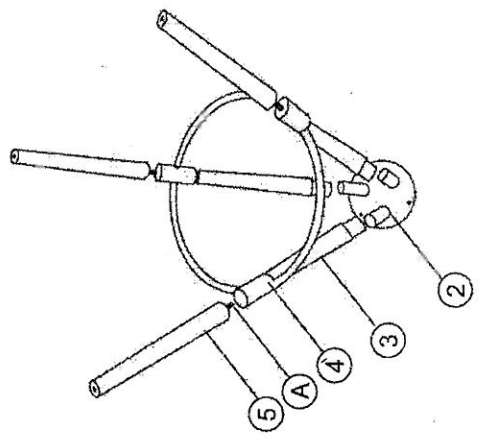
E507,2

step 1

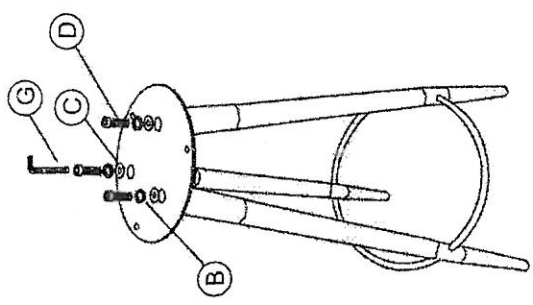
PLEASE SEPARATE 1 AND 2 FIRST.



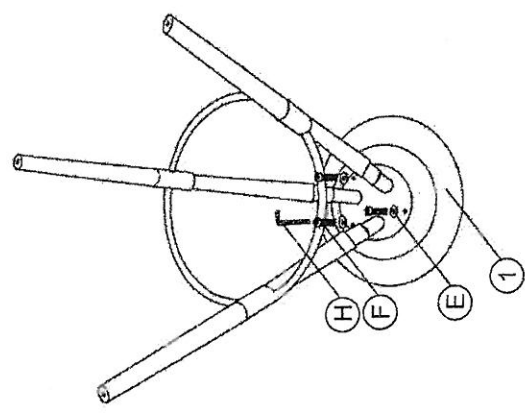
step 2



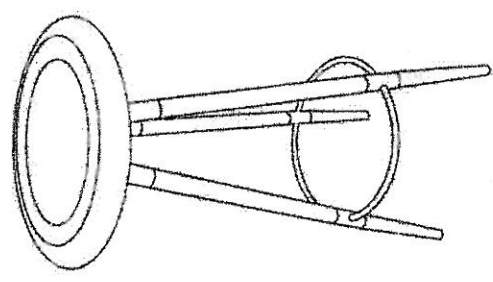
step 3



step 4



step 5



A



*3

B



*3

C



*3

D



*3

E



*3

F



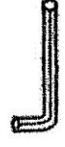
*3

G



*1

H



*1