






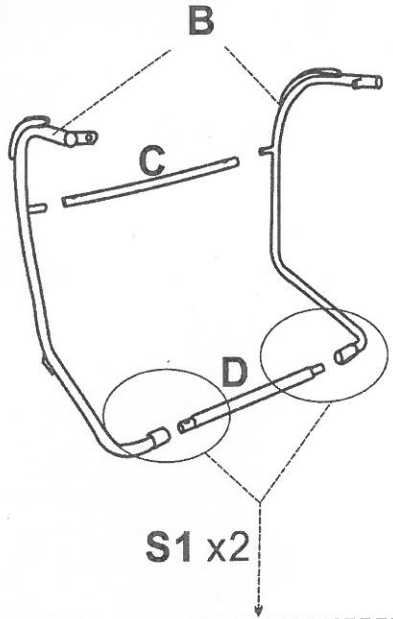


Assembling Instruction

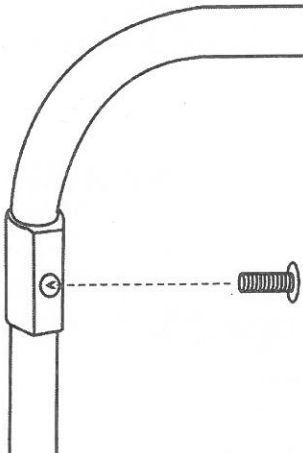
A	
B	
C	
D	
	S1 x4
	S2 x2
	WRENCH

1



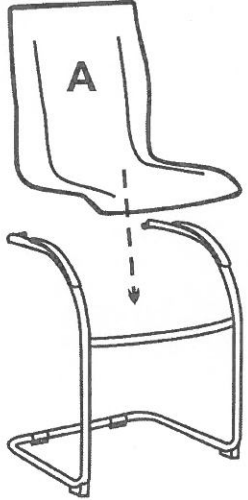
S1 x2

*Use S1 to connect the tubes, don't tighten it.

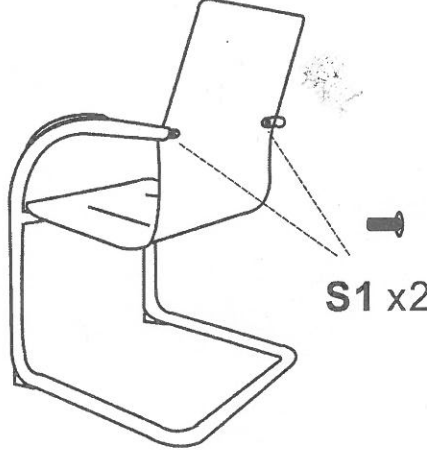


S1

2

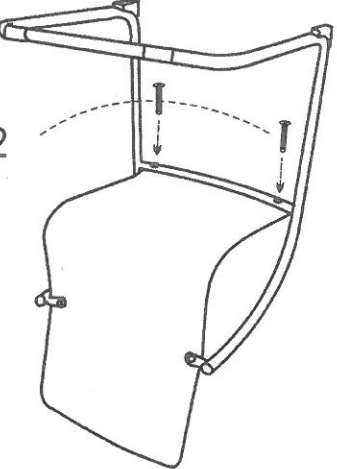


3



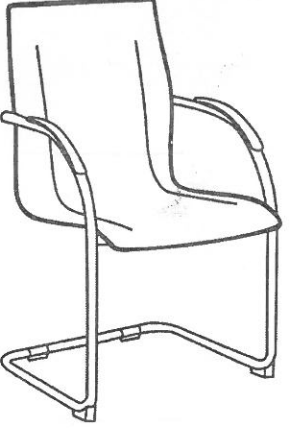
S1 x2

4



S2 x2

5



*Put the chair on smooth floor, tighten all screws.