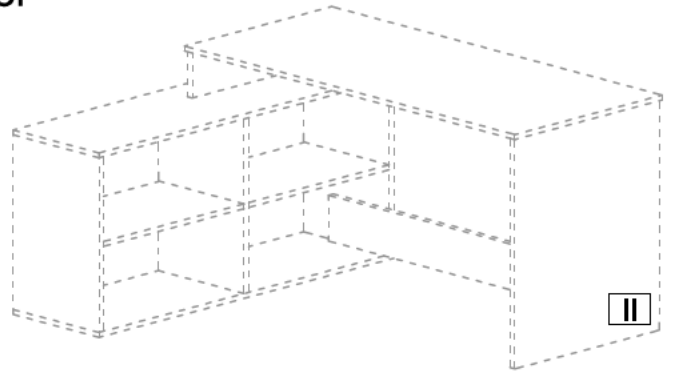
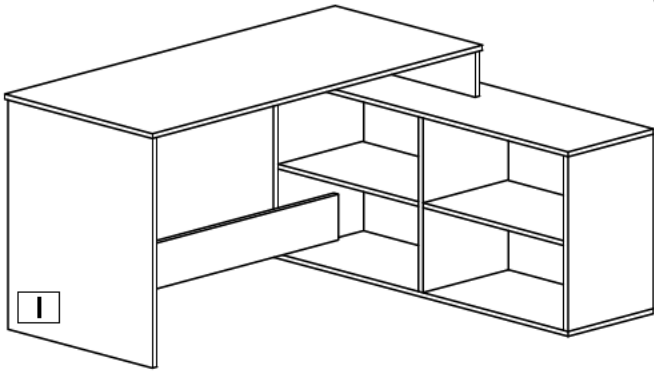
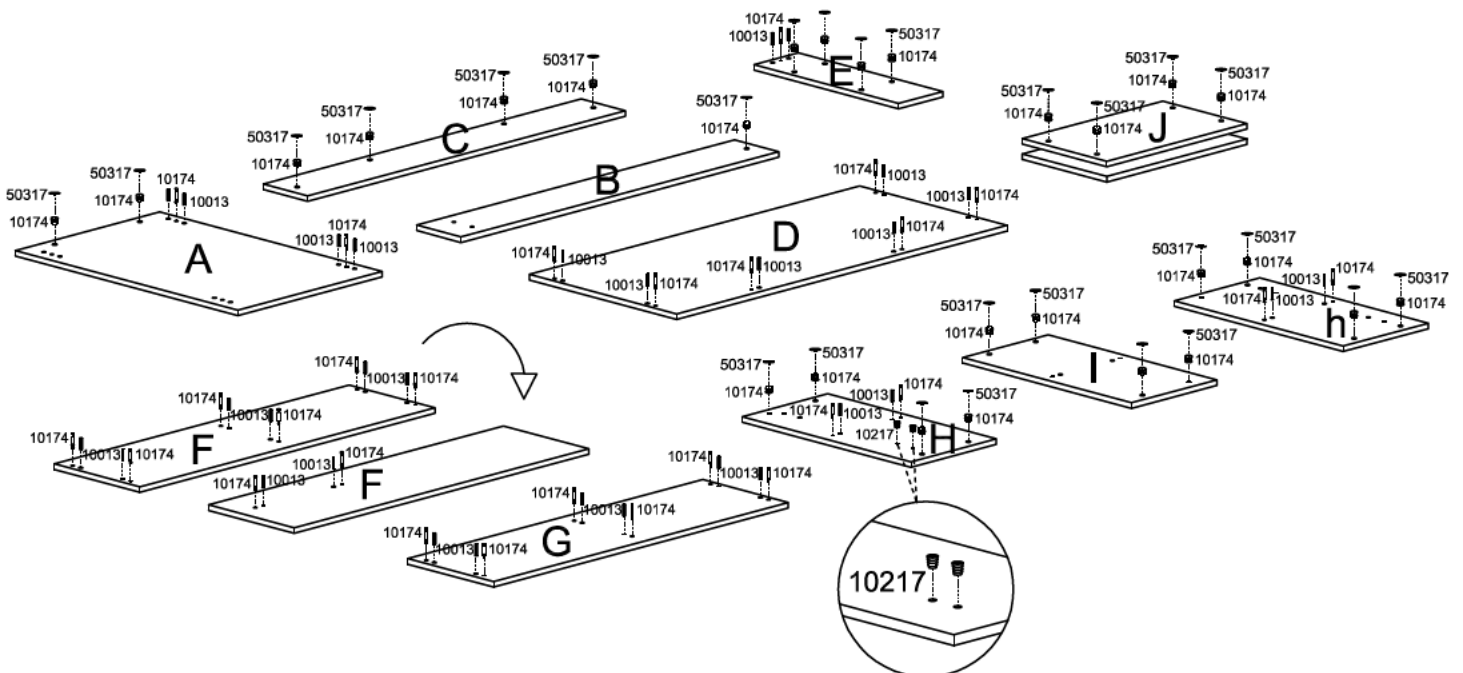
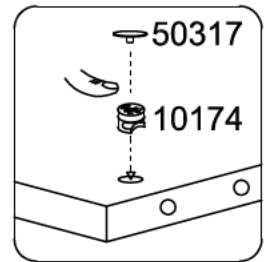
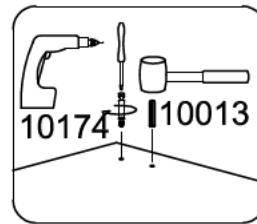
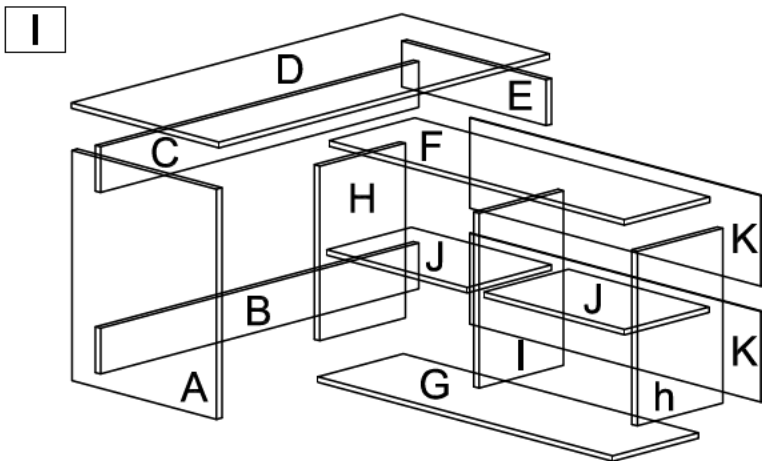


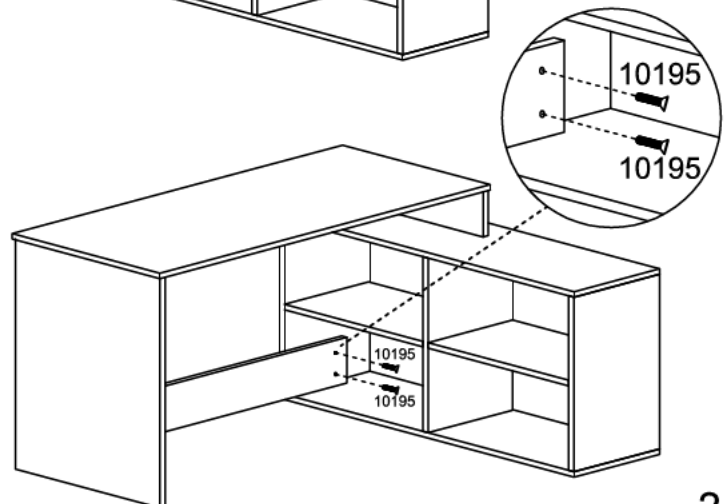
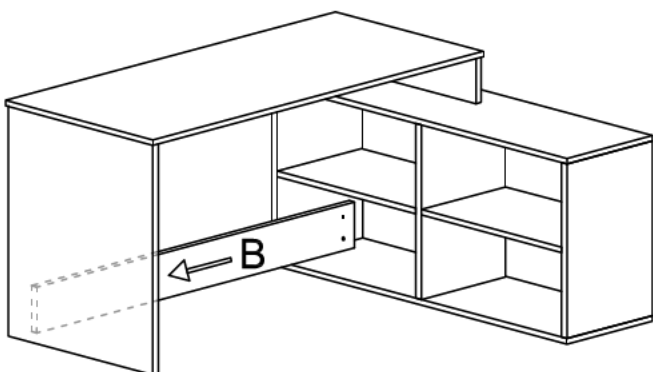
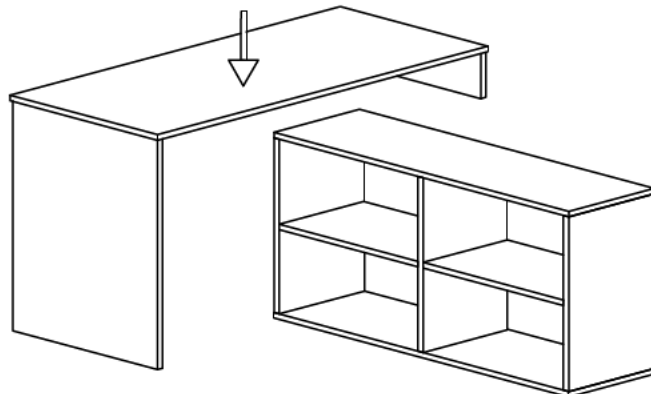
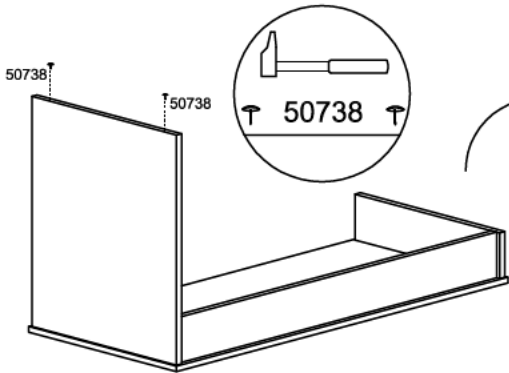
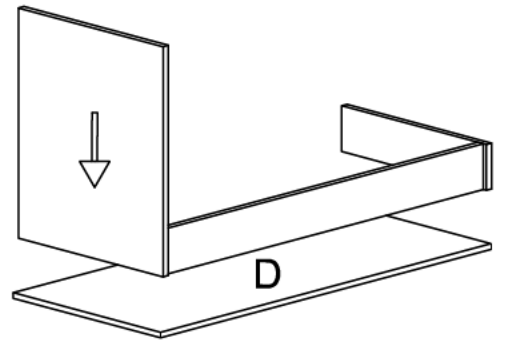
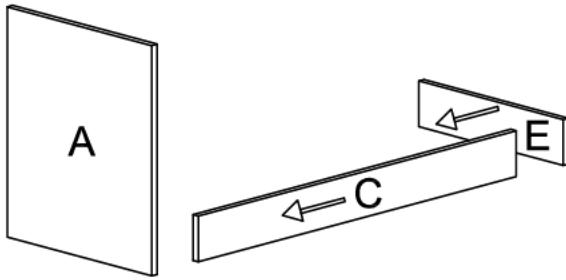
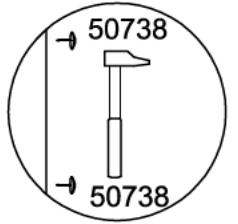
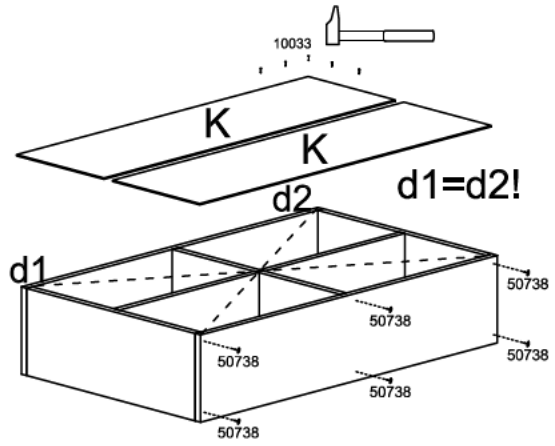
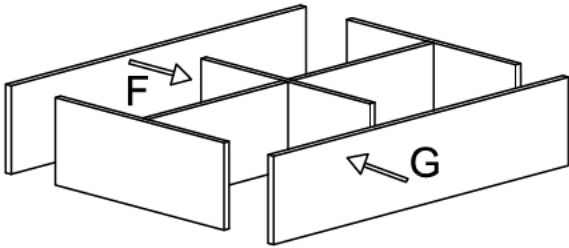
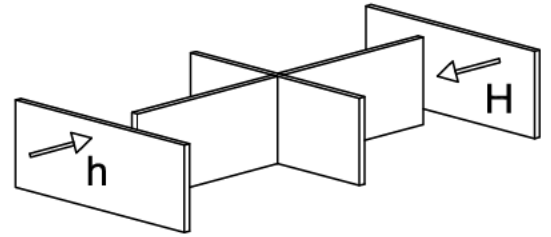
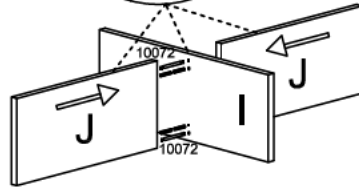
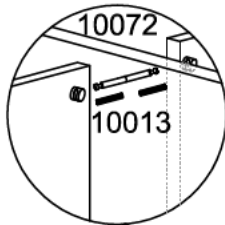
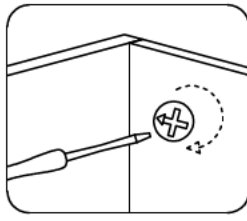
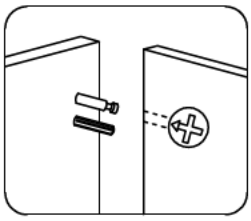
# Corner



A	754x490	1/2
B	1078x150	1/2
C	1078x150	1/2
D	1120x500	1/2
E	150x490	2/2
F	1000x290	1/2
G	1000x290	1/2
H/h	2x 572x290	2/2
I	572x286	2/2
J	2x 476x286	1,2/2
K	2x 296x988	1/2

27x  10174	34x  10013	31x  50317	2x  10072
2x  10217	8x  50738	2x  M 6/25 10195	12x  50324
 10033			





II

